



Audible Visible Accessories

System Sensor offers a wide range of Audible Visible (AV) accessories to enable you to meet a variety of application requirements.



Features

MP120K Mounting Plate

- Designed for both indoor and outdoor use
- Plug-in design eliminates ground faults
- Power supply that converts 120 VAC to nominal 24 V FWR
- Compatible with all two-wire SpectrAlert Advance® devices

Color Lens Attachments

- Easily turns any device into a strobe for ECS, severe weather, sprinkler activation and more
- Outdoor rated from -35°F to 151°F
- Wall- or ceiling-mount lenses available
- UL 1638 listed

WTP Weatherproof Plates

- Enables flush mounting of outdoor devices to brick, ceramic tile, concrete, and masonry brick
- Weatherproof per NEMA 3R
- For use in both indoor and outdoor applications
- For use with all K series (outdoor) products replacement -R models
- Universal mounting plate easily attaches to the weatherproof plate

Agency Listings



S4011
S3593



7300-1653:195
7300-1653:204
7300-1653:0222



582-06-E



The **MP120K Mounting Plate** is designed to use 120 VAC to power SpectrAlert Advance horns, strobes, horn strobes, chimes, and chime strobes.

Color Lens Attachments install easily on any indoor or outdoor SpectrAlert Advance strobe devices to provide distinctive visual signaling.

WTP Series Weatherproof Plates enable installers to flush mount outdoor horns, strobes, horn strobes, speakers, and speaker strobes to a variety of wall surfaces, including brick, ceramic tile, concrete, and masonry brick. These NEMA 3R-rated plates come in red and white to suit aesthetic and functional requirements. Compatible with our outdoor devices, which can be used in indoor and outdoor environments, as required by conditions. They easily attach to the SpectrAlert Advance universal mounting plate.

Trim Rings for speakers and speaker strobes allow for additional space within the backbox. Trim ring for horns, strobes, and horn strobes allow 4-wire devices to mount to a single-gang back box.

SpectrAlert Advance Outdoor Back Boxes ensure a NEMA 4X watertight listing for AV devices. In locations where you have a hard surface to mount to, **Surface Mount Back boxes** are the best solution. If you have an exposed junction box, the **Back Box Skirts** offer an attractive solution to mask the junction box exposure. **Retrofit Plates** cover paint outlines on the wall when replacing legacy SpectrAlert Advance products.

SpectrAlert Advance DECALS are for use on our non-pad printed wall- and ceiling-mount devices. Each decal comes with AGENT, EVAC, ALERT, or FIRE label options. The **Sync•Circuit Module** synchronizes SpectrAlert Advance strobes at 1 Hz and horns and chimes at temporal 3 over a single pair of wires. Patented module technology also allows the silencing of horns or chimes on horn strobe and chime strobe models over a pair of wires. See the Sync•Circuit Datasheet for more information.

Specifications

MP120K

120 VAC mounting plate model MP120K shall be listed to UL 464 for fire protective signaling systems. The mounting plate shall power a two-wire SpectrAlert® Advance horn, strobe, horn strobe, chime or chime strobe from a 120 VAC supply converted to nominal 24 V FWR. For indoor applications, the mounting plate shall be installed in a 4x4x2¹/₈ -inch junction box. For outdoor applications, the mounting plate shall be installed using the proper SpectrAlert Advance outdoor weatherproof back box and outdoor listed notification appliance.

Compatibility

MP120K may be used with any of the following products at all horn and strobe settings: P2R, P2RH, P2RK, P2RHK, P2W, P2WH, SR, SRH, SRK, SRHK, SW, SWH, PC2R, PC2RH, PC2RK, PC2RHK, PC2W, PC2WH, SCR, SCRH, SCRK, SCRHK, SCW, SCWH, HR, HRK, HW, SR-P, SW-P, SRH-P, SWH-P, P2R-P, P2W-P, P2RH-P, P2WH-P, SCR-P, SCW-P, SCRH-P, SCWH-P, PC2R-P, PC2W-P, PC2RH-P, PC2WH-P, SR-SP, SRH-SP, P2R-SP, P2RH-SP, SCW-SP, SCWH-SP, PC2W-SP, PC2WH-SP, CHR, CHW, CHSR, CHSW.

Physical/Operating Specifications

Standard Operating Temperature -40°F to 151°F (-40°C to 66°C)

Humidity Range 10 to 93% non-condensing (indoor products)

Nominal Voltage Regulated 120 VAC

Operating Voltage Range 96-132 VAC

Current Draw From AC Line 150 mA max.

WTP Weatherproof Plates

The SpectrAlert Advance weatherproof plate for horns, strobes, and horn strobes shall mount to 4x4x1¹/₄-inch and 2x4x1¹/₂-inch back boxes. The weatherproof plate for speakers and speaker strobes shall mount to 4x4x2¹/₈-inch back boxes. The weatherproof plate may be installed on brick, concrete, ceramic tile, and masonry brick and must be used with System Sensor "K" series outdoor replacement models (-R). Outdoor SpectrAlert Advance products shall operate between -40°F and 151°F.

Physical Specifications

Speaker Strobe 7.25" L x 6.26" W x 3.00" D (including speaker and lens)

Speaker 7.25" L x 6.26" W x 1.30" D (including speaker)

Horn Strobe 6.90" L x 5.90" W x 2.80" D (including strobe lens)

Horn 6.90" L x 5.90" W x 1.60" D (including horn)

Note: WTP and WTPW are compatible with 4x4x1¹/₄-inch and 2x4x1¹/₂-inch back boxes. (Compatible with outdoor horns, horn strobes and strobes)
WTP-SP and WTP-SPW are compatible with 4x4x2¹/₈-inch back boxes. (Compatible with outdoor speakers and speaker strobes)

Models Available for Use with the Watertight Plates:

WTP/WTPW HRK-R

WTP/WTPW SRK-R, SWK-R

WTP/WTPW P2RK-R, P2RHK-R, P4RK-R, P2WK-R

WTP-SP SPRK-R, SPWK-R

WTP-SPW SPSRK-R, SPSWK-R

Note: -R models ship without the outdoor back box. The weatherproof mounting plates are designed to be used only with -R replacement models.

Specifications

Colored Lens Attachments

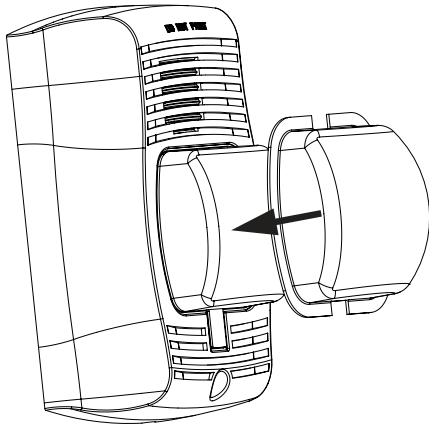
The System Sensor SpectrAlert Advance colored lens attachments shall be approved for fire protective service as listed in UL 1638. The lens attachments shall only be used with non-FIRE-printed System Sensor strobe devices. The lens shall mount to any wall- or ceiling-mount strobes and shall be rated from -35°F to 151°F.

Compatibility

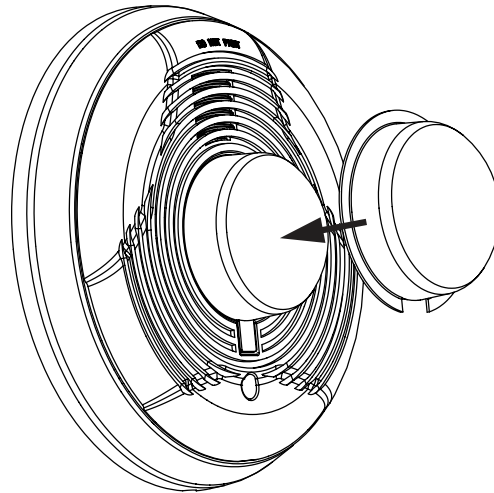
Colored lens attachments may be used with the following System Sensor plain (non-FIRE-printed) indoor or outdoor strobe models: SR-P, SRH-P, SW-P, SWH-P, P2R-P, P2W-P, P2WH-P, P2RK-P, P2RHK-P, SCW-P, PC2R-P, PC2W-P, PC2WH-P, SPSW-P, SPSR-P, SPSWH-P, SPSRH-P, SPSWV-P, SPSRV-P, SPSCW-P, SPSCWH-P, SPSCWV-P, SPSCWVH-P, SRK-P, SRHK-P, SWK-P, SWHK-P, P2WK-P, P2WHK-P, SPSWK-P, SPSRK-P, SW-CLR-ALERT, SCW-CLR-ALERT, SPSCW-CLRALERT.

Colored Lens Installation

Installation to Wall-Mount Strobe



Installation to Ceiling-Mount Strobe



Candela Rating for UL 1638

Light output of color lenses is measured per UL 1638, on axis, and is not derated.

Strobe Output (cd)

| Candela Switch Setting | On-Axis Candela Rating (UL1638) – All Colors |
|------------------------|--|
| 15 | 15 |
| 15/75* | NA |
| 30 | 30 |
| 75 | 75 |
| 95 | 95 |
| 110 | 110 |
| 115 | 115 |
| 135 | 135 |
| 150 | 150 |
| 177 | 177 |
| 185 | 185 |

*15/75 Candela setting not to be used with color lenses

Ordering Information (continued)

| Part No. | Description |
|-------------------------------------|---|
| Metal Weatherproof Backboxes | |
| MWBWW | white, wall-mount, compatible with: SPWK-R, SPWK, SPSWK-R, SPSWK-P, SPSWK, SPSWK-CLR-ALERT |
| MWBB | red, wall-mount, compatible with: SPRK-R, SPRK, SPSRK-P, SPSRK, SPSRK-R |
| MWBBCW | white, ceiling-mount, compatible with: SPCWK, SPSCWK, SPCWK-R, SPSCWK-R, SPSCWHK, SPSCWHK-R |
| SA-WBBW | white, wall-mount, compatible with: P2WK, P2WHK, P2WHK-P, P2WK-P, SWK, SWK-R, SWK-P, P2WHK-R, P2WK-R, SWHK, SWHK-P, P4WK |
| SA-WBB | red, wall-mount, compatible with: P2RK, P2RK-P, P2RK-R, SRK, SRK-P, SRK-R, P2RHK, P4RK, P4RHK, SRHK, HRK, P2RHK-R, P2RK-R, HRK-R, P4RHK-R, P4RK-R |
| SA-WBBC | red, ceiling-mount, compatible with: SCRK, SCRHK, PC2RK, PC2RHK |
| SA-WBBCW | white, ceiling-mount, compatible with: PC2WK, PC2WHK, PC4WK, SCWK, SCWHK |
| Surface Mount Back Box | |
| SBBR | red, wall-mount, compatible with: HR, CHR, SR, SR-SP, SRH, P2R, P2R-SP, P2RH, P4R, P4RH, CHSR, P2R-P, SR-P, SRH-P |
| SBBW | white, wall-mount, compatible with: HW, CHW, SW, SWH, P2W, P2WH, P4W, P4W-P, CHSW, P2W-P, P2WH-P, SW-P, SWH-P, SW-ALERT, SWH-ALERT |
| SBBSPR | red, wall-mount, compatible with: SPR, SPRV, SPSR, SPSRH, SPSRV, SPSR-P, SPSRH-P, SPSRV-P |
| SBBSPW | white, wall-mount, compatible with: SPW, SPWW, SPSW, SPSWH, SPSWV, SPSW-P, SPSWH-P, SPSW-ALERT, SPSW-CLR-ALERT |
| SBBCR | red, ceiling-mount compatible with: SCR, SCRH, PC2R, PC2RH, PC4R, PC4RH, SPCR, SPCR-V, SPSCR, SPSCRH, SPSCR-V, SPSCR-VH, PC2R-P |
| SBBCW | white, ceiling-mount, compatible with: SCW, SCWH, PC2W, PC2W-SP, PC2WH, PC4W, SPCW, SPCWV, SPSCW, SPSCWH, SPSCWV, SPSCWVH, PC2W-P, PC2WH-P, SCW-P, SPCW-P, SPSCWH-P, SPSCWHK-P, SPSCWV-P, SPSCWVH-P, SPSCW-CLR-ALERT, SCW-CLR-ALERT |
| Back Box Skirts | |
| BBS-SP201W | Surface-mount back-box skirt for the PF24V (ExitPoint™ Directional Sounder with Voice Messaging) |
| SPBBS | red, wall-mount, compatible with: SPR, SPSR, SPRV, SPSR-P, SPSRH, SPSRH-P |

| Part No. | Description |
|--|---|
| Colored Lenses | |
| LENS-B | Wall-mount, blue |
| LENS-R | Wall-mount, red |
| LENS-G | Wall-mount, green |
| LENS-A | Wall-mount, amber |
| LENS-BC | Ceiling-mount, blue |
| LENS-RC | Ceiling-mount, red |
| LENS-GC | Ceiling-mount, green |
| LENS-AC | Ceiling-mount, amber |
| Decals | |
| DECAL-R | red, used for non-pad-printed wall-mount devices. (10 total decals per box for 5 devices)* |
| DECAL-RC | red, used for non-pad-printed ceiling-mount devices. (15 total decals per box for 5 devices)* |
| DECAL-W | white, used for non-pad-printed wall-mount devices. (10 total decals per box) for 5 devices* |
| DECAL-WC | white, used for non-pad-printed ceiling-mount devices. (15 total decals per box for 5 devices)* |
| *All Decals include Labels: "AGENT, EVAC, ALERT & FIRE" | |
| Retrofit Plates (For use with horn strobe & speaker strobe devices) | |
| RFPW | 9.5" x 7" white |
| RFP | 9.5" x 7" red |
| Mounting Plate | |
| MP120K | 120 VAC Adapter Mounting Plate |
| Sync Modules | |
| MDL3W | white, 12/24 volt Sync-Circuit module. |
| MDL3R | red 12/24 volt Sync-Circuit module |
| Trim Rings | |
| TR | red, wall-mount for use with speaker devices |
| TRC | red, ceiling-mount for use with speaker devices |
| TRCW | white, ceiling-mount for use with speaker devices |
| TR-HS | red, wall-mount for use with horn strobes devices |
| TRW | white, wall-mount for use with speaker devices |
| Watertight Plates | |
| WTPW | white, for use with horn, strobes & horn strobe devices |
| WTP | red, for use with horn, strobes & horn strobe devices |
| WTP-SPW | white, for use with speaker devices |
| WTP-SP | red, for use with speaker devices |



3825 Ohio Avenue • St. Charles, IL 60174
 Phone: 800-SENSOR2 • Fax: 630-377-6495
www.systemsensor.com

©2014 System Sensor.
 Product specifications subject to change without notice. Visit www.systemsensor.com
 for current product information, including the latest version of this data sheet.
 AVDS4002 • 7/14